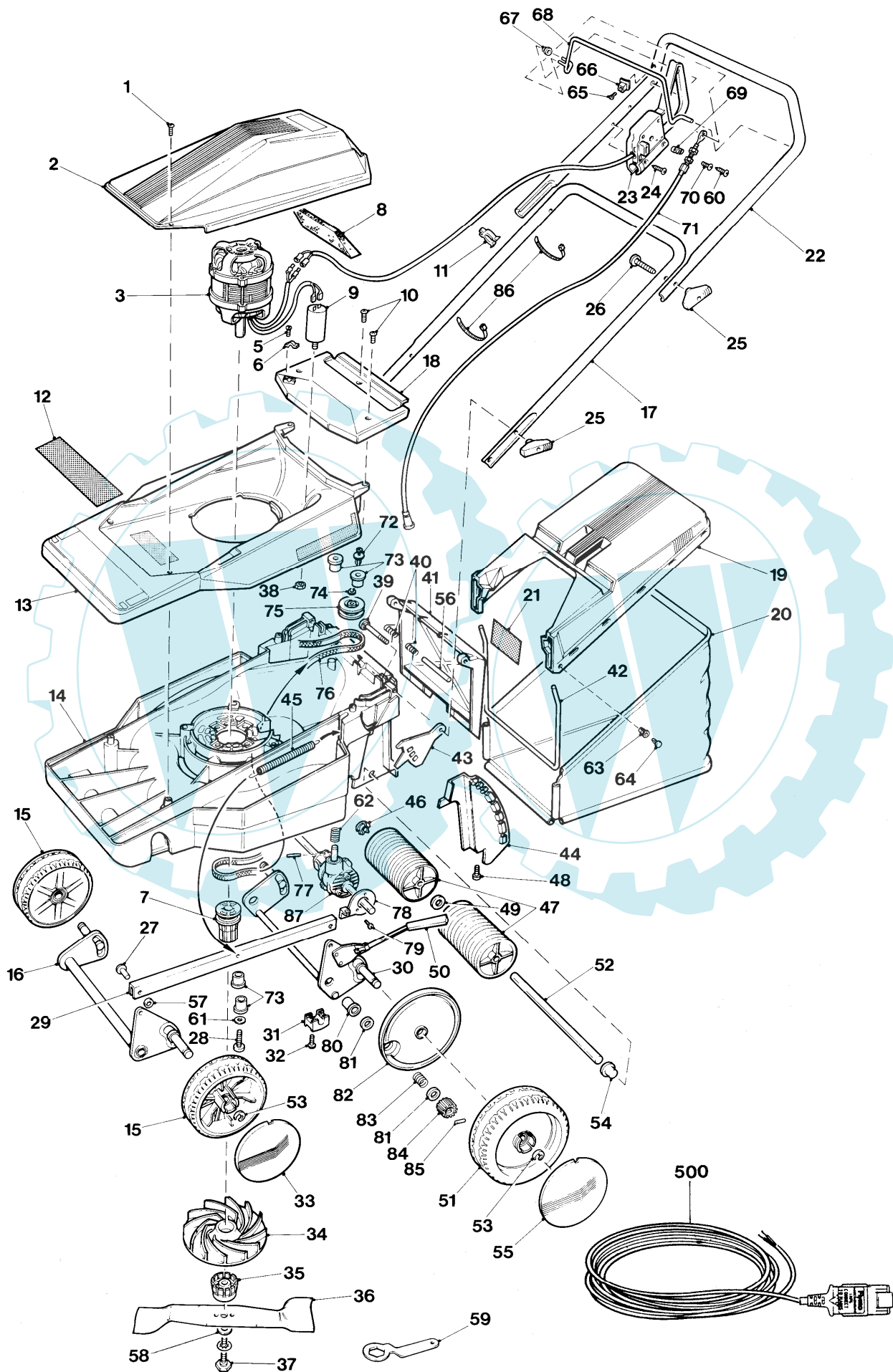




# CHEVRON RE420 AUTODRIVE 9644222 POWER DRIVE





# CHEVRON RE420 AUTODRIVE 9644222 POWER DRIVE

| KEY No. | PART No                 | DESCRIPTION                   | QUANTITY | COMMENTS<br>APPLICATION | KEY No. | PART No      | DESCRIPTION                     | QUANTITY | COMMENTS<br>APPLICATION |
|---------|-------------------------|-------------------------------|----------|-------------------------|---------|--------------|---------------------------------|----------|-------------------------|
| 1       | 5148519-00/1            | SCREW                         | 2        |                         | 43      | 5137810-00/7 | INDEX PLATE                     | 2        |                         |
| 2       | 5117209-00/6            | COWL TOP                      | 1        | ALT 5117209-01/4        | 44      | 5126867-00/0 | QUADRANT                        | 1        |                         |
|         | 5106352-01/5            | COWL TOP                      | 1        |                         | 45      | 5137731-00/5 | SPRING COUNTERBALANCE           | 1        |                         |
| 3       | 5117190-00/8            | MOTOR 230V INDUCTION          | 1        |                         | 46      | 5137801-00/6 | CLIP AXLE                       | 1        |                         |
| 5       | 5146941-00/9            | SCREW HI-LO 04.32x16LG PAN    | 2        |                         | 47      | 5126880-00/3 | ROLLER                          | 2        |                         |
| 6       | 5140705-00/4            | CABLE CLAMP                   | 1        |                         | 48      | 5146736-00/3 | SCREW HIGH/LOW                  | 1        |                         |
| 7       | 5126878-00/7            | DRIVE HUB                     | 1        |                         | 49      | 5140281-01/4 | WASHER                          | 1        |                         |
| 8       | 5137698-00/6            | FILTER                        | 1        |                         | 50      | 5126874-00/6 | KNOB ADJUSTER                   | 1        |                         |
| 9       | 5137735-00/6            | CAPACITOR 20UF 400V           | 1        |                         | 51      | 5126920-00/7 | DRIVE WHEEL ASSY                | 2        |                         |
| 10      | 5146824-00/7            | SCREW No.11 5/8" LONG HI LOW  | 3        |                         | 52      | 5137709-00/1 | AXLE ROLLER                     | 1        |                         |
| 11      | 5137811-00/5            | CLIP CABLE                    | 2        |                         | 53      | 5148526-00/6 | CIRCLIP'E'                      | 4        |                         |
| 12      | 5137880-00/0            | LABEL FLYMO POWERDRIVE        | 1        |                         | 54      | 5137802-00/4 | MOUNT AXLE                      | 1        |                         |
| 13      | 5117200-00/5            | COWL BASE                     | 1        | ALT 5117200-01/3        | 55      | 5126918-01/9 | HUB CAP-REAR                    | 2        |                         |
|         | 5106351-01/7            | COWL BASE RL42                | 1        |                         | 56      | 5148568-00/8 | SPRING GUIDE                    | 1        |                         |
| 14      | 5106350-01/9            | DECK 42CM                     | 1        |                         | 57      | 5148524-00/1 | WASHER STARLOCK                 | 2        |                         |
| 15      | 5126916-00/5            | WHEEL ASSY FRONT              | 2        |                         | 58      | 5148598-00/5 | DISC SPRING                     | 1        |                         |
| 16      | 5126868-00/8            | AXLE FABRICATION              | 1        |                         | 59      | 5130127-00/3 | SPANNER                         | 1        |                         |
| 17      | 5126876-01/9            | HANDLE LOWER                  | 1        |                         | 60      | 5148522-00/5 | SCREW NO.6 18x12LG              | 1        |                         |
| 18      | 5106357-01/4            | ACCESS PANEL                  | 1        |                         | 61      | 5148527-00/4 | WASHER                          | 4        |                         |
| 19      | 5127002-01/1            | GRASSBAG TOP                  | 1        |                         | 62      | 5137733-00/1 | CLUTCH SPRING                   | 1        |                         |
| 20      | 5117182-01/3            | GRASSBAG                      | 1        |                         | 63      | 5148642-00/1 | NUT                             | 2        |                         |
| 21      | 5146467-00/5            | LABEL WARNING ELECTRIC        | 1        | GB.O/S.                 | 64      | 5148643-00/9 | DRIVE FASTENER                  | 2        |                         |
|         | 5137659-00/8            | LABEL WARNING ELECTRIC        | 1        | A.B.NL.                 | 65      | 5141599-00/0 | SCREW                           | 1        |                         |
|         | 5137885-00/9            | LABEL WARNING                 | 1        | N.S.DK.                 | 66      | 5137873-00/5 | SWITCH LEVER GUIDE              | 1        |                         |
| 22      | 5126816-14/8            | HANDLE LABEL ASSY             | 1        |                         | 67      | 5148503-00/5 | INSULATING BUSH                 | 2        |                         |
| 23      | 5127036-01/9            | SWITCHBOX ASSY                | 1        |                         | 68      | 5117184-01/9 | GRAB RAIL                       | 1        |                         |
|         | 5127037-01/7            | SWITCHBOX ASSY                | 1        | A.B.NL.                 | 69      | 5137915-00/4 | CLEAT                           | 1        |                         |
|         | 5127037-03/3            | SWITCHBOX ASSY EUROPE         | 1        | N.S.DK.                 | 70      | 5148711-00/4 | SCREW M4                        | 1        |                         |
| 24      | 5146672-00/0            | SCREW NO.6 POZIDRIVE RECESSED | 2        |                         | 71      | 5137892-00/5 | CABLE CLUTCH                    | 1        |                         |
| 25      | 5137679-01/4            | WING NUT                      | 4        |                         | 72      | 5148528-00/2 | PLASTIC RIVET                   | 1        |                         |
| 26      | 5148510-00/0            | BOLT NIBBED                   | 2        |                         | 73      | 5148509-00/2 | GUIDE BUSH                      | 4        |                         |
| 27      | 5148506-00/8            | CLEVIS PIN                    | 2        |                         | 74      | 5148526-00/6 | CIRCLIP 'E'                     | 1        |                         |
| 28      | 5148507-00/6            | SCREW                         | 4        |                         | 75      | 5137891-00/7 | PULLEY                          | 1        |                         |
| 29      | 5148486-00/3            | LINK                          | 1        |                         | 76      | 5126882-00/9 | DRIVE BELT                      | 1        |                         |
| 30      | 5126927-01/0            | AXLE REAR                     | 1        |                         | 77      | 5148478-00/0 | RATCHET PIN                     | 1        |                         |
| 31      | 5137730-00/7            | CLAMP BRIDGE                  | 2        |                         | 78      | 5137701-01/6 | ACTUATING PLATE                 | 1        |                         |
| 32      | 5148519-00/1            | SCREW                         | 4        |                         | 79      | 5147114-00/2 | SCREW TAPTITE UNC PAN 5/8" LONG | 2        |                         |
| 33      | 5126917-01/1            | HUB CAP-FRONT                 | 2        |                         | 80      | 5148485-00/5 | BUSH AXLE                       | 2        |                         |
| 34*     | 5117357-00/3            | FAN                           | 1        |                         | 81      | 5140281-01/4 | WASHER                          | 4        |                         |
| 35*     | 5137875-00/0            | BLADE SPACER                  | 1        |                         | 82      | 5126884-00/5 | BACK PLATE                      | 2        |                         |
| 36      | 5117183-00/3            | BLADE 42CM                    | 1        |                         | 83      | 5137708-00/3 | RATCHET SPRING                  | 2        |                         |
| 37      | <del>5148750-00/4</del> | BLADE BOLT ASSY               | 1        | 5148754-00/4            | 84      | 5137702-00/6 | RATCHET GEAR                    | 2        |                         |
| 38      | 5148523-00/3            | LOCKNUT M8                    | 1        |                         | 85      | 5148478-00/0 | RATCHET PIN                     | 2        |                         |
| 39      | 5148505-00/0            | BOLT COACH                    | 2        |                         | 86      | 5147150-00/6 | TIE WRAP                        | 2        |                         |
| 40      | 5137845-00/3            | SPRING RETURN                 | 2        |                         | 87      | 5126907-01/2 | GEARBOX ASSY                    | 1        |                         |
| 41      | 5106353-01/3            | SAFETY FLAP                   | 1        |                         | 500     | 5126890-02/8 | CABLE EXTENSION                 | 1        |                         |
| 42      | 5126873-00/8            | U-FRAME                       | 1        |                         |         |              |                                 |          |                         |

\* SEE NOTES ON PAGE D1-10C

A Österreich, AUS Australia, B Belgique/Belgie, CND Canada, CH Schweiz/Suisse, D Deutschland, DK Danmark, E Espania, EI Eire, F France, GB Great Britain, I Italia, N Norge, NL Nederland, NZ New Zealand, O/S Overseas, P Portugal, S Sverige, SF Suomi, USA U.S.A., ZA South Africa

WHERE NO APPLICATION DETAILS ARE SHOWN, PART APPLIES TO ALL COUNTRIES

PRODUCT VARIANT  
9644222-25 GB  
9644222-72 A.B.NL

9644222-74 N.S.DK.